

MEZZANINES

MEZZANINES

SPECIFICATIONS

INSTALLATION TIPS

GENERAL STRUCTURE

HANDRAIL

STAIRCASES

GATES

FLOORING

NOTES

HANDRAIL

- EASY INSTALLATION STEPS FOR ALL 3 TYPES OF HANDRAIL

Copyright © January 2011
Cogan Wire and Metal Products Ltd.

All rights reserved

For the most current release of this manual, please visit our website at

www.cogan.com

v.2011.1

STEP 4
TOP AND MID RAIL
ATTACHEMENT CLIP

STEP 5
"L" CLIP

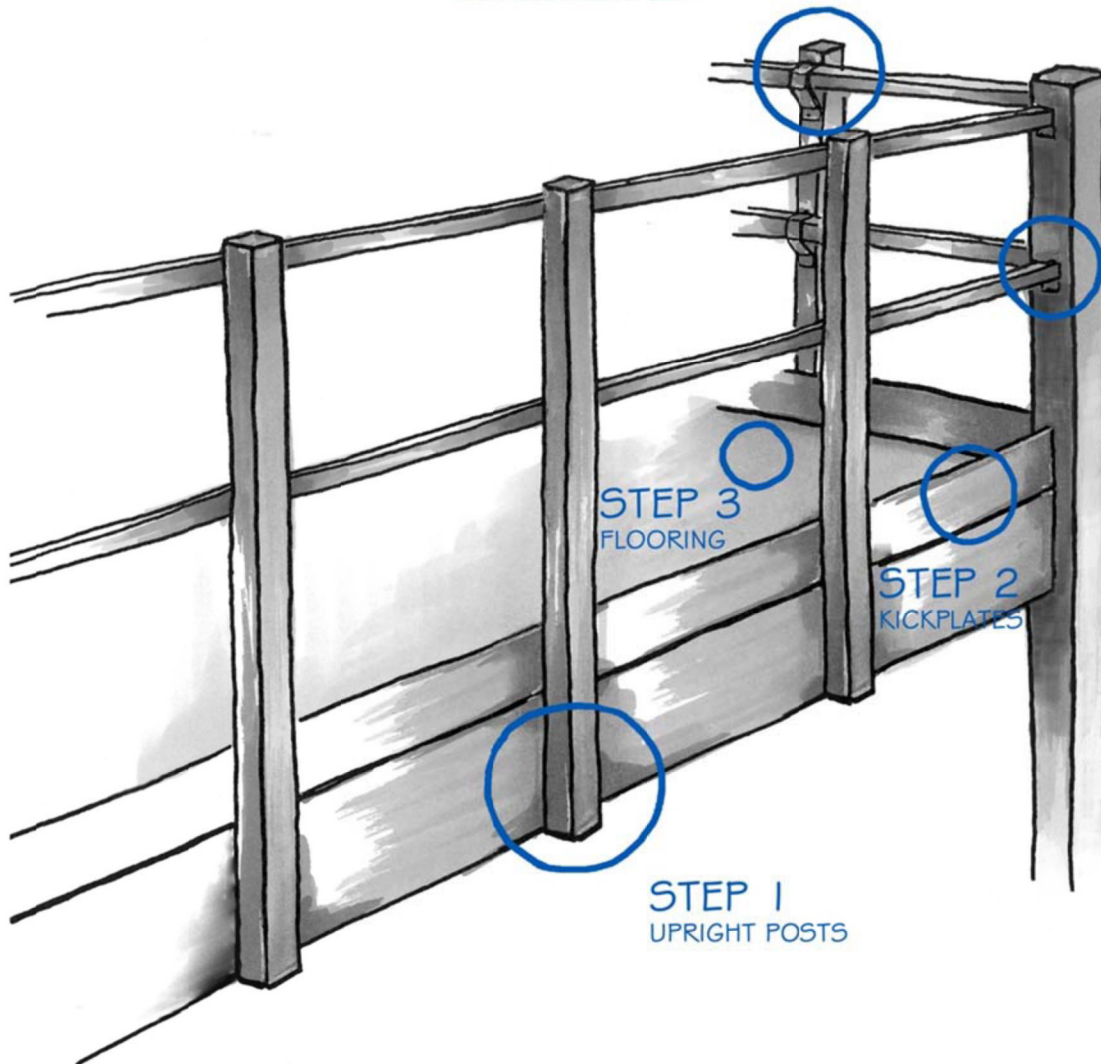
STEP 3
FLOORING

STEP 2
KICKPLATES

STEP 1
UPRIGHT POSTS



Cogan[®] FASTER.
LEANER.
BETTER.[™]

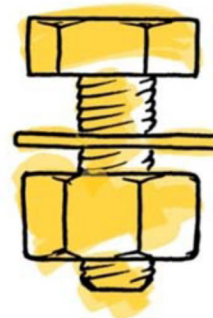




$\varnothing 1/4$ " x 1" HEX
HEAD TEK SCREW



$\varnothing 3/8$ " x 1 3/4" BOLT



$\varnothing 3/8$ " x 1" BOLT



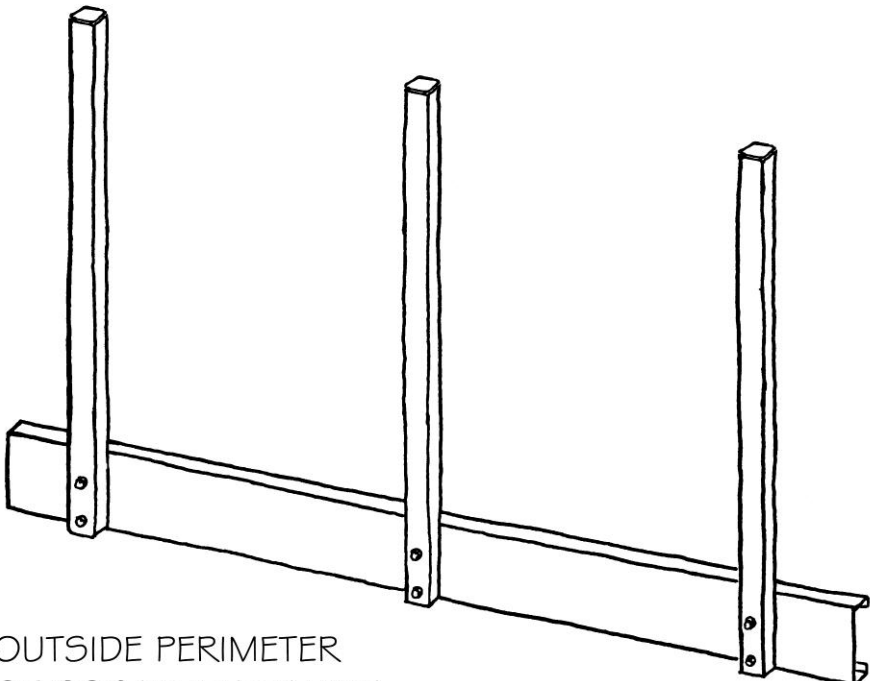
$\varnothing 3/8$ " x 3 1/2" BOLT



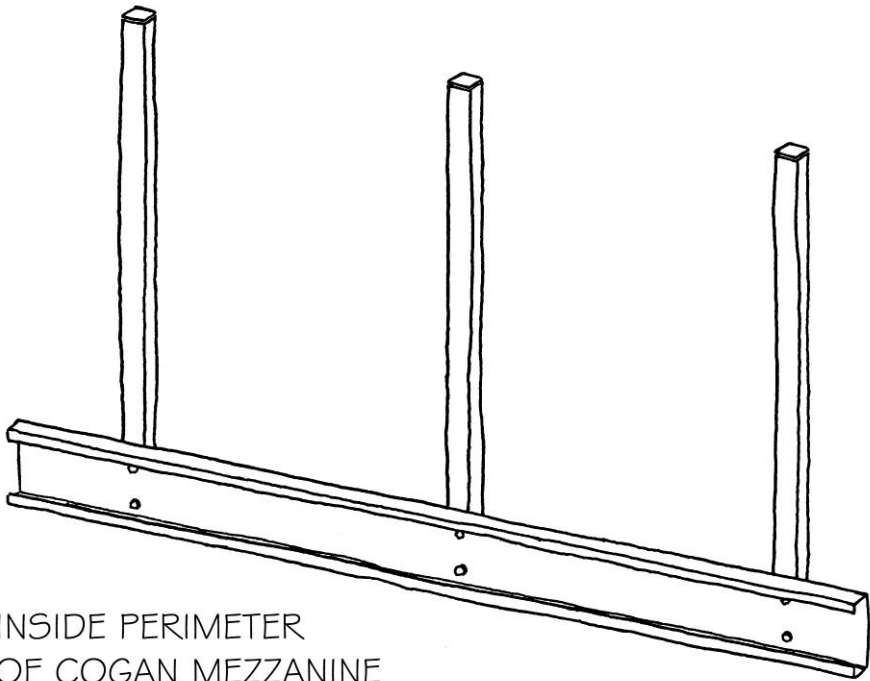
$\varnothing 3/8$ " x 2 3/4" ANCHOR

STEP 1

UPRIGHT POSTS



OUTSIDE PERIMETER
OF COGAN MEZZANINE



INSIDE PERIMETER
OF COGAN MEZZANINE

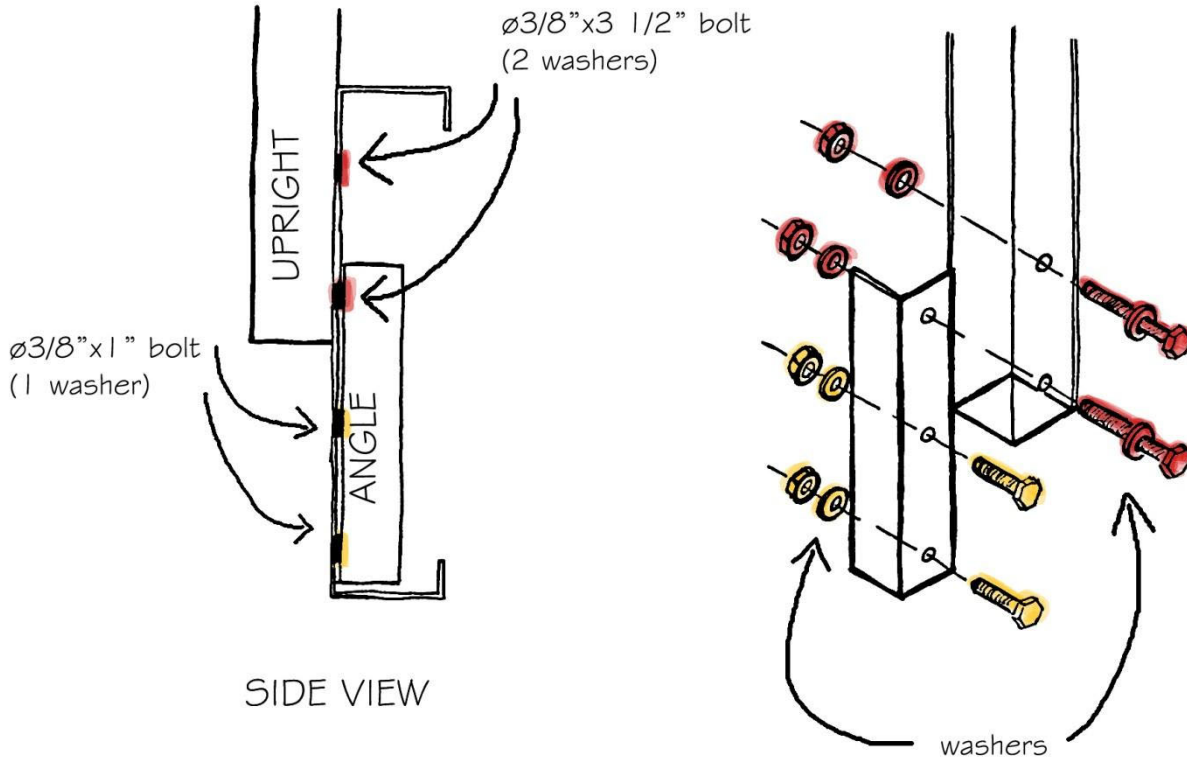
DETAIL A (REINFORCEMENT ANGLES)

$\phi 3/8$ " x $3\ 1/2$ " BOLTS ARE USED WHEN CONNECTING TO THE HANDRAIL UPRIGHT WITH OR WITHOUT COGAN'S REINFORCEMENT SINGLE ANGLE. USE 2 WASHERS PER BOLT.

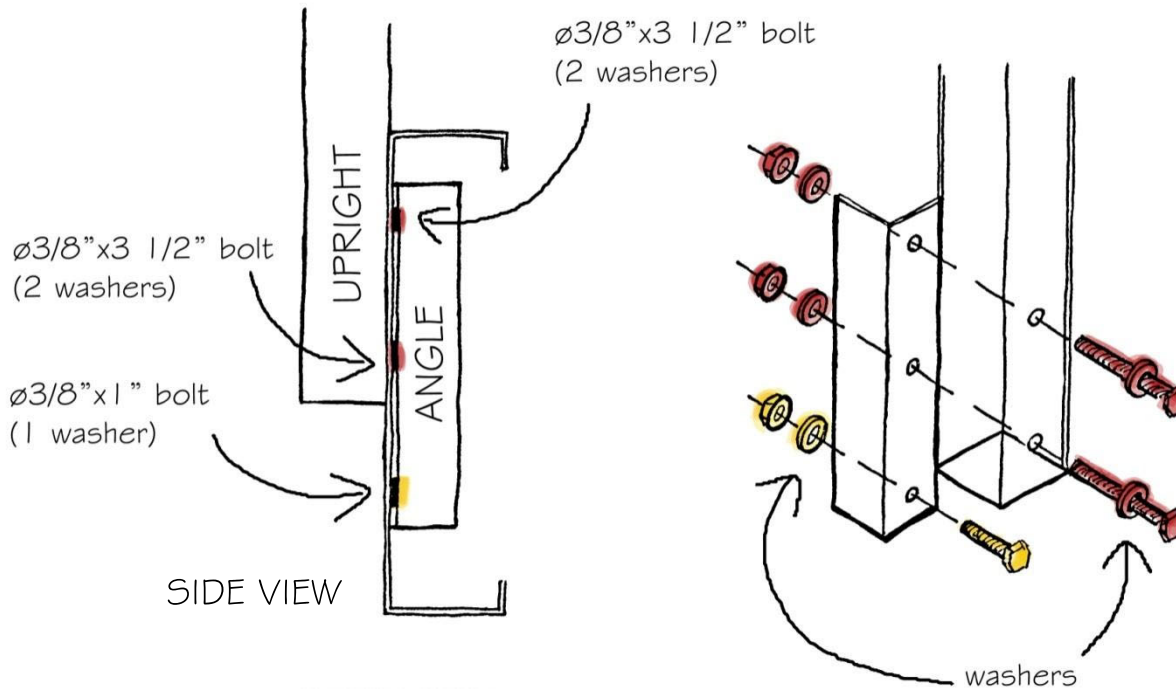
$\phi 3/8$ " x 1" BOLTS ARE USED WHEN CONNECTING COGAN'S REINFORCEMENT SINGLE ANGLE TO CHANNEL.

SINGLE CHANNELS AND SINGLE ANGLES

C16X11.5 - C16X10.3



C14X9.3 - C14X8.1 AND C12X7.4

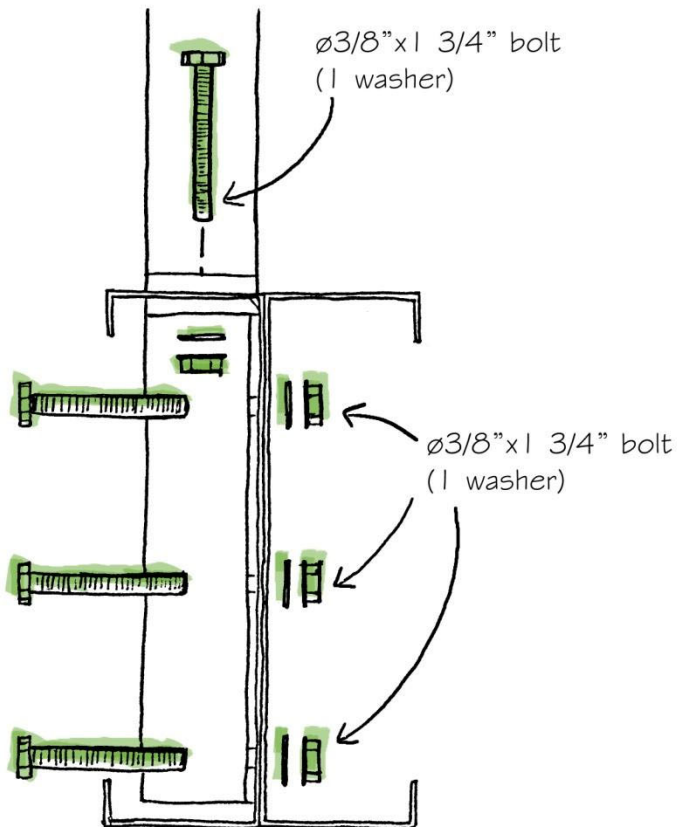


DETAIL B (REINFORCEMENT ANGLES)

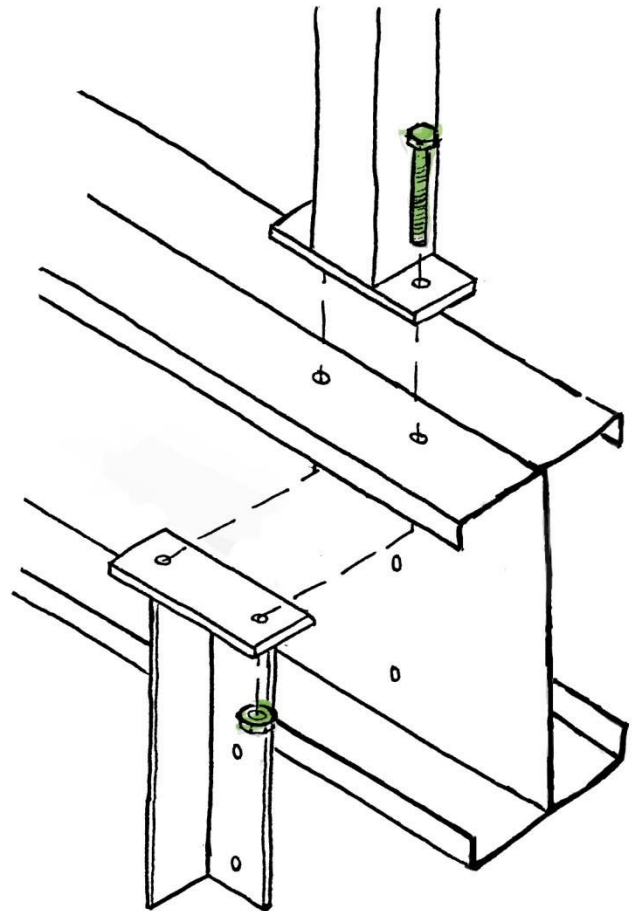
$\phi 3/8$ " x $1\ 3/4$ " BOLTS ARE USED WHEN CONNECTING COGAN'S REINFORCEMENT WELDED ANGLE TO CHANNEL THAT ARE BACK TO BACK AND ON THE TOP OF ONE OF THE BACK TO BACK CHANNEL.

BACK TO BACK CHANNELS AND WELDED ANGLES

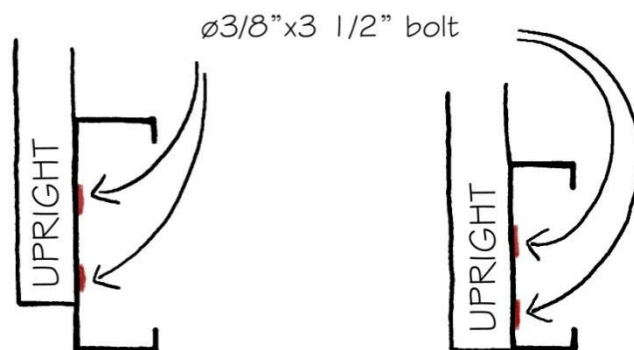
C16X11.5 - C16X10.3 AND C14X9.3 - C14X8.1 AND C12X7.4



SIDE VIEW

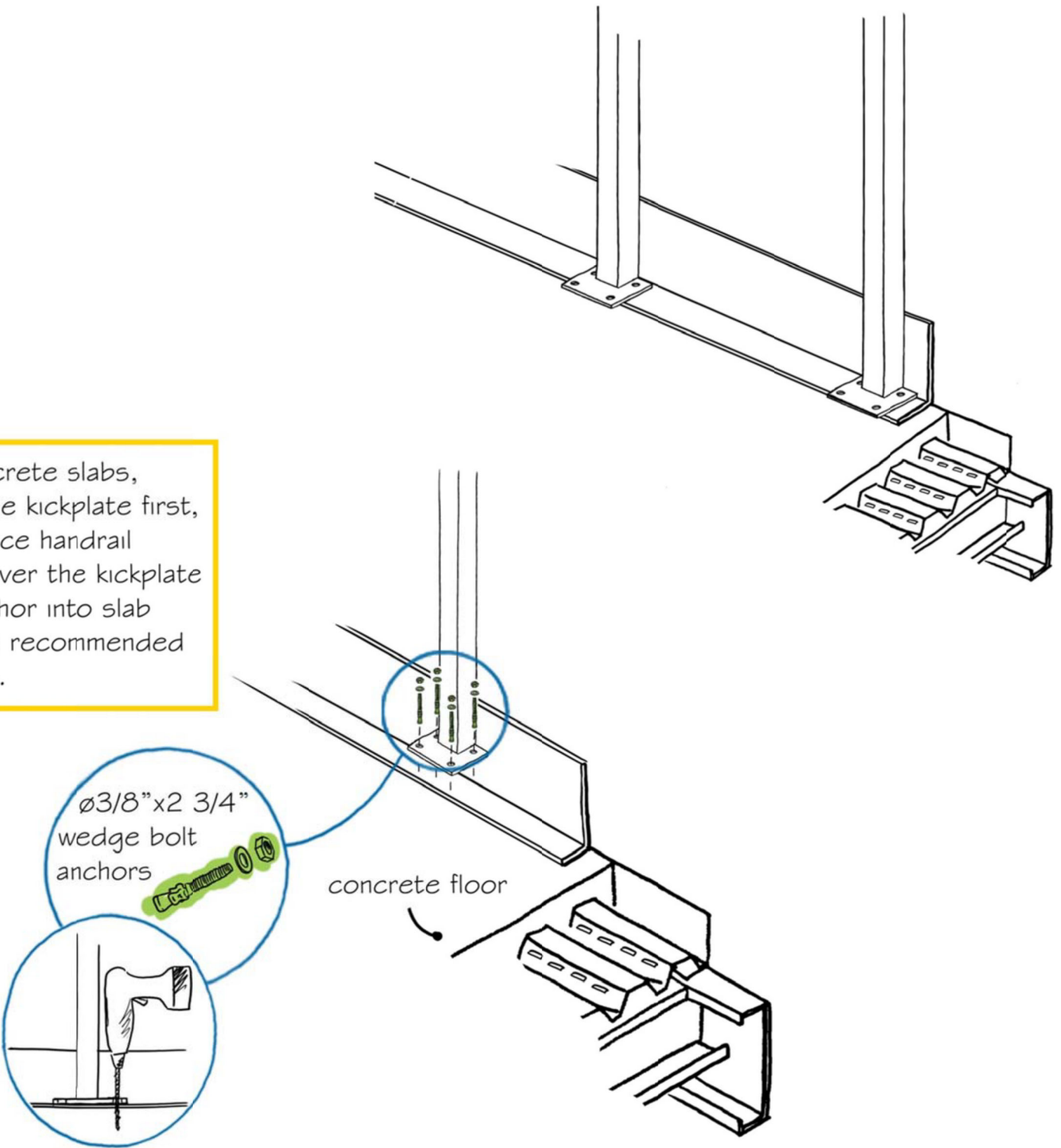


COGAN'S REINFORCEMENT ANGLES ARE NOT NEEDED FOR C10X6.7 AND C8X5.4 OR ANY I-BEAMS



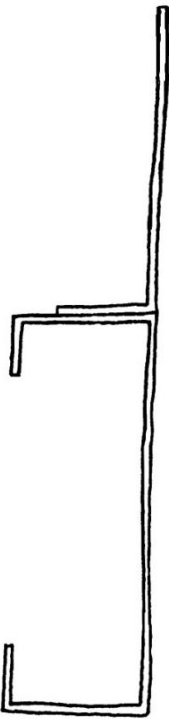
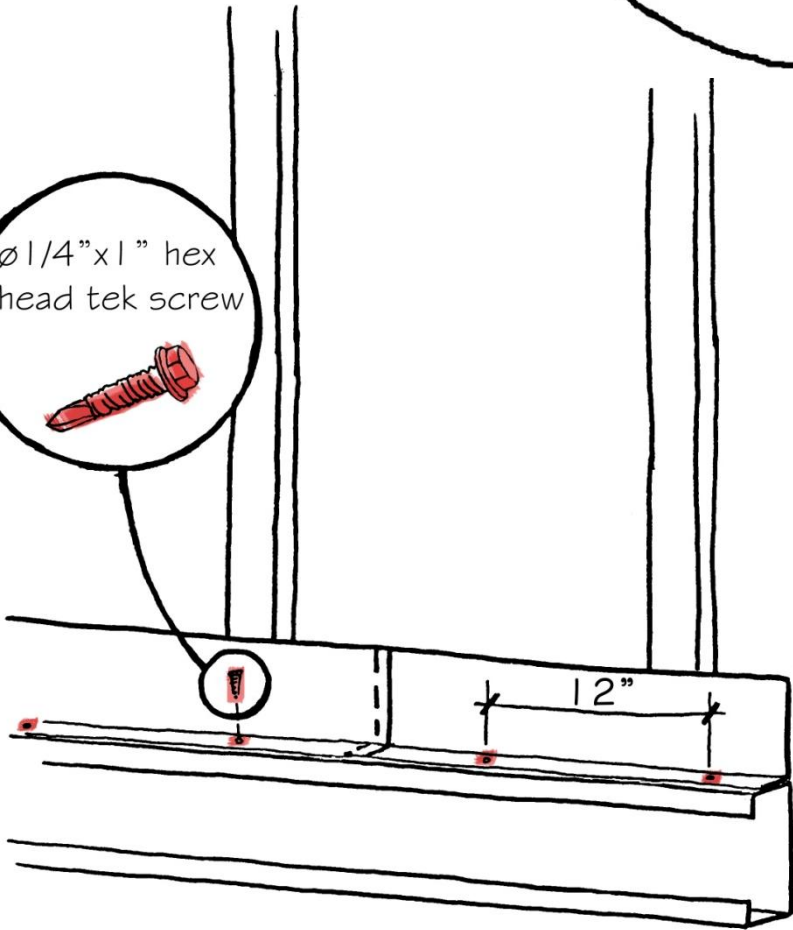
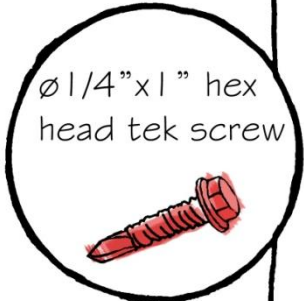
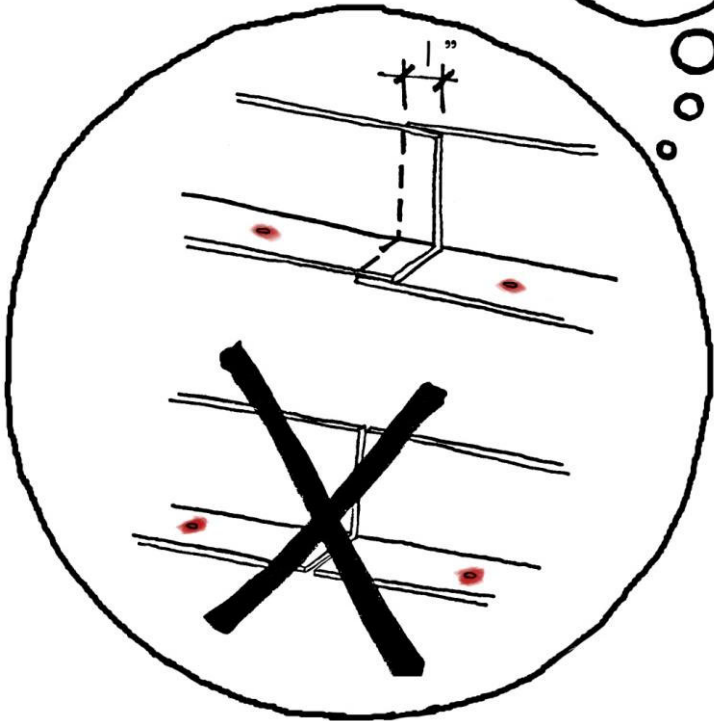
DETAIL C (INSTALLATION ON TOP OF CONCRETE FLOORING)

On concrete slabs, place the kickplate first, then place handrail posts over the kickplate and anchor into slab with the recommended anchors.



STEP 2

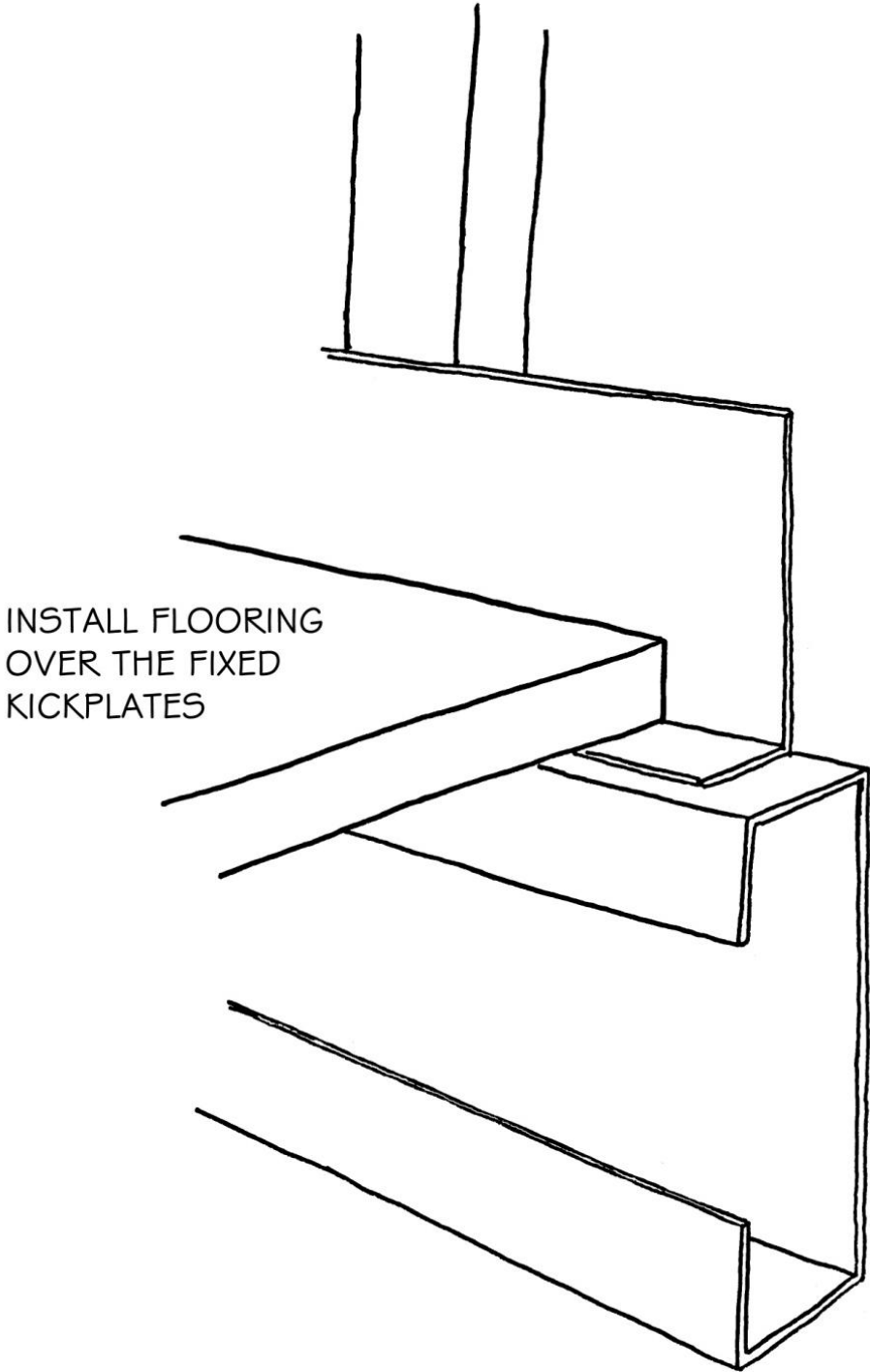
KICKPLATE ASSEMBLY



SIDE VIEW

STEP 3

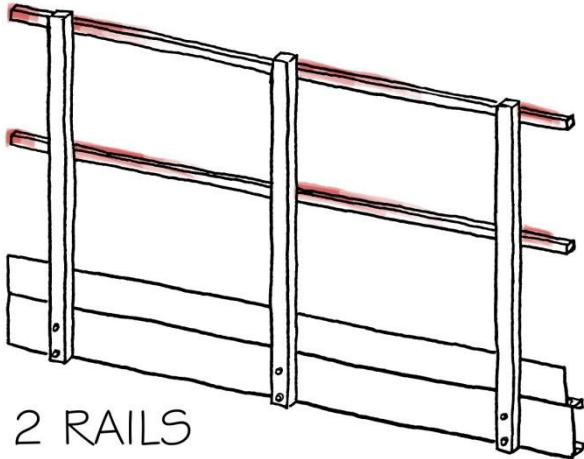
FLOORING



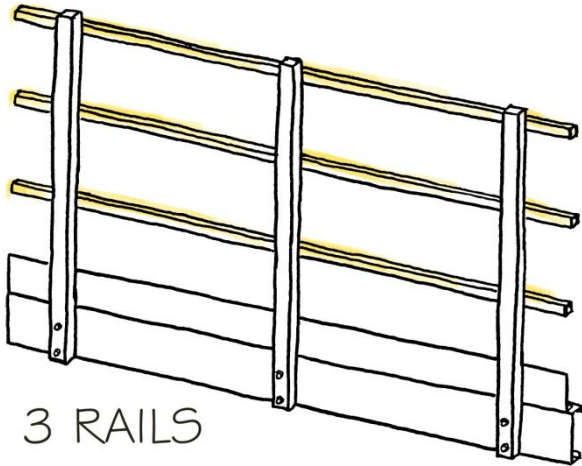
REFER TO FLOORING SECTION IN THE INSTALLATION MANUAL FOR COMPLETE DETAILS

STEP 4

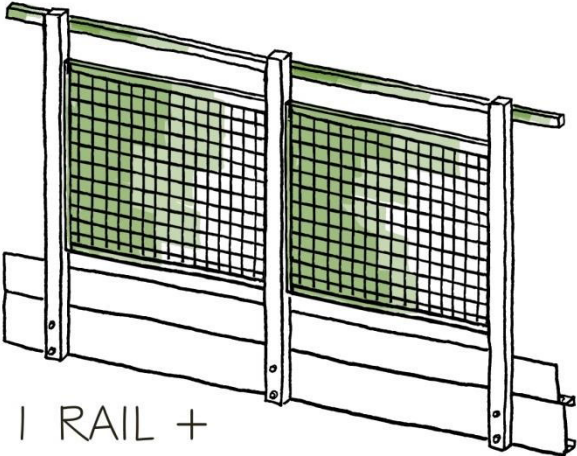
HANDRAIL TUBE / WIRE MESH PANNEL AND ATTACHEMENT CLIP



2 RAILS

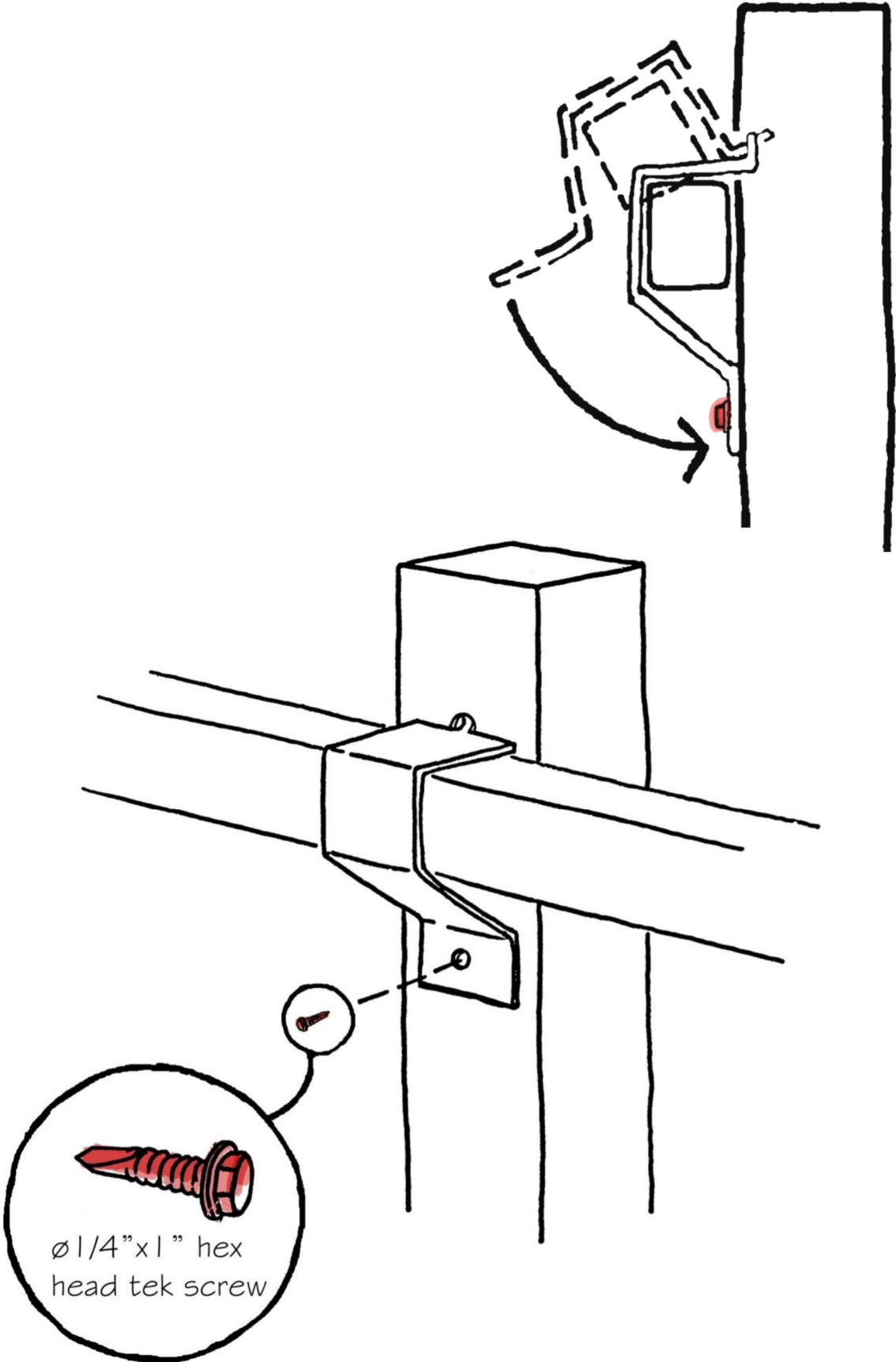


3 RAILS

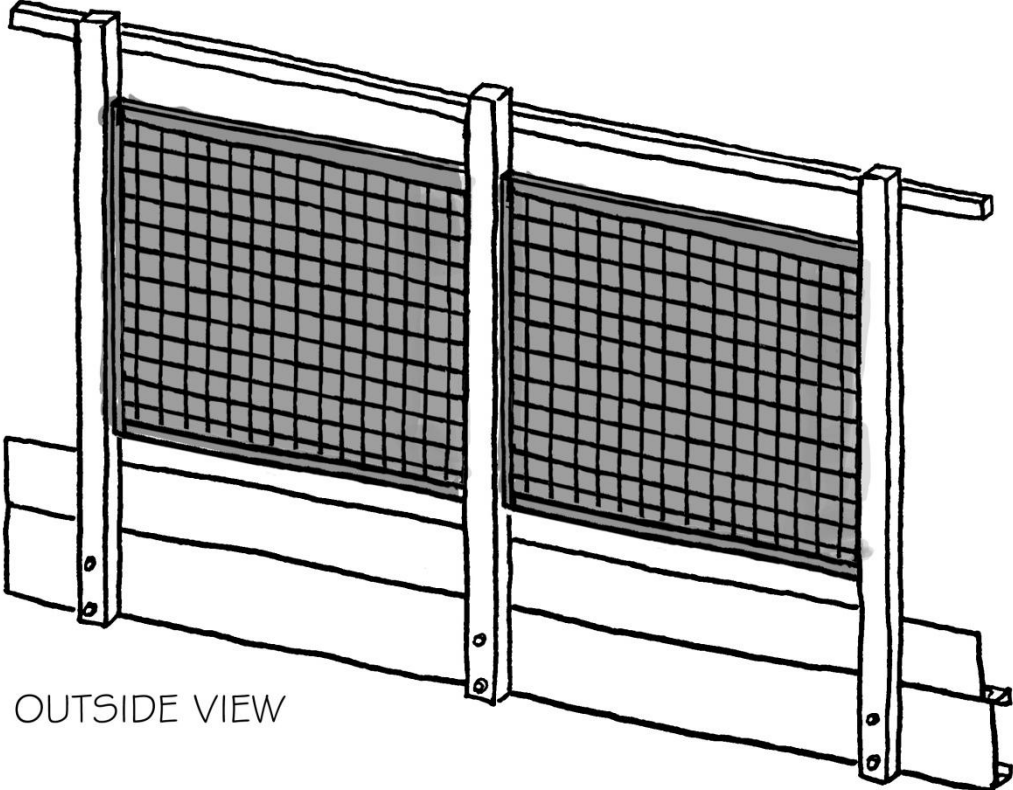


1 RAIL +
WIRE MESH PANNELS

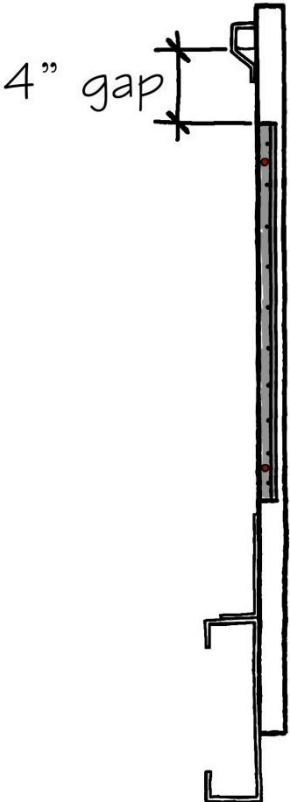
ATTACHEMENT CLIP



WIRE MESH PANNEL



OUTSIDE VIEW

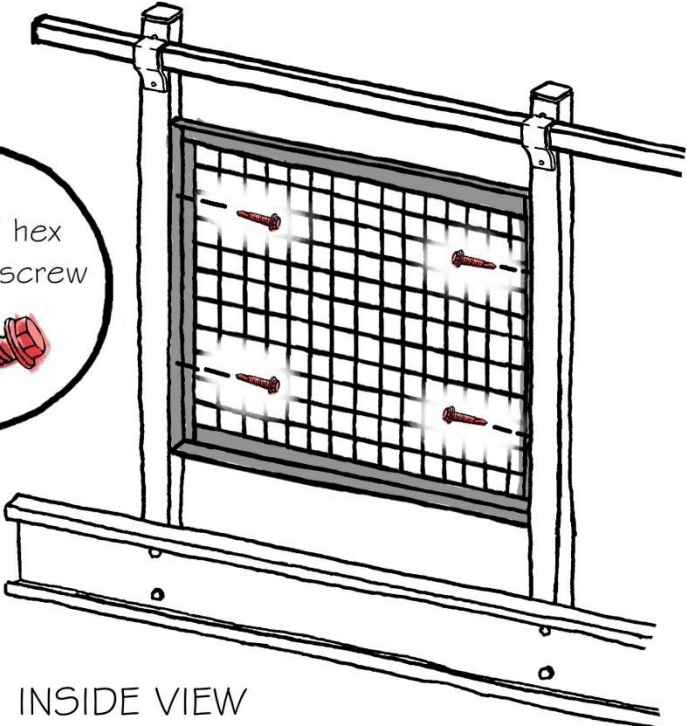


4" gap

SIDE VIEW



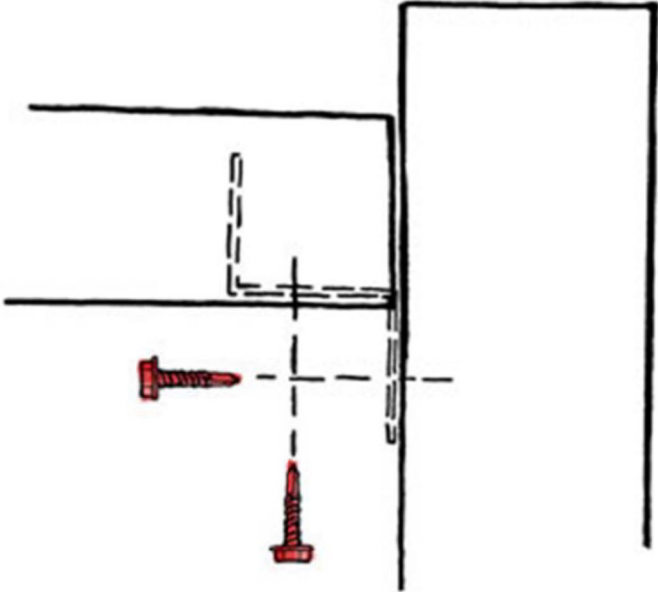
ø1/4"x1" hex head tek screw



INSIDE VIEW

STEP 5

"Z" CLIP FOR EXTENSION POST



SIDE VIEW

