

# MEZZANINES

MEZZANINES

SPECIFICATIONS

INSTALLATION TIPS

GENERAL STRUCTURE

HANDRAIL

STAIRCASES

GATES

FLOORING

NOTES

---

---

---

---

---

---

---

---

## STAIRCASES

- EASY INSTALLATION STEPS FOR LADDER AND ALL 4 TYPES OF STAIRCASE

Copyright © March 2011

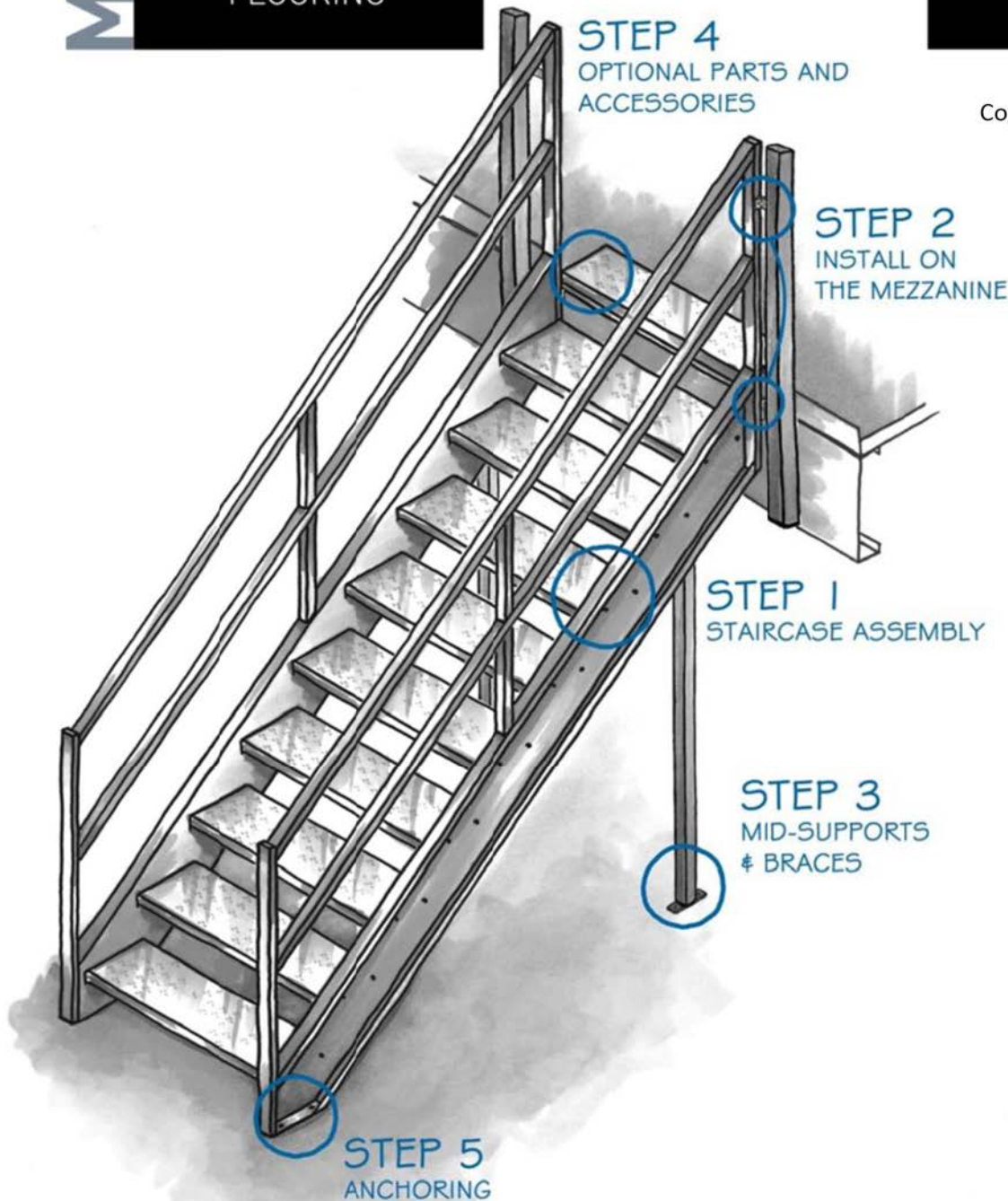
Cogan Wire and Metal Products Ltd.

All rights reserved

For the most current release of this manual, please visit our website at

[www.cogan.com](http://www.cogan.com)

v.2011.1



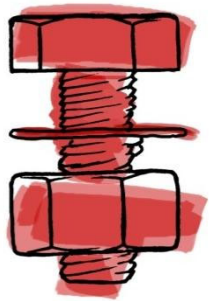
**Cogan**  
FASTER.  
LEANER.  
BETTER.



$\varnothing 3/8$ " x  $2 \frac{3}{4}$ " ANCHOR



$\varnothing 1/4$ " x 1" FLAT  
HEAD TEK SCREW



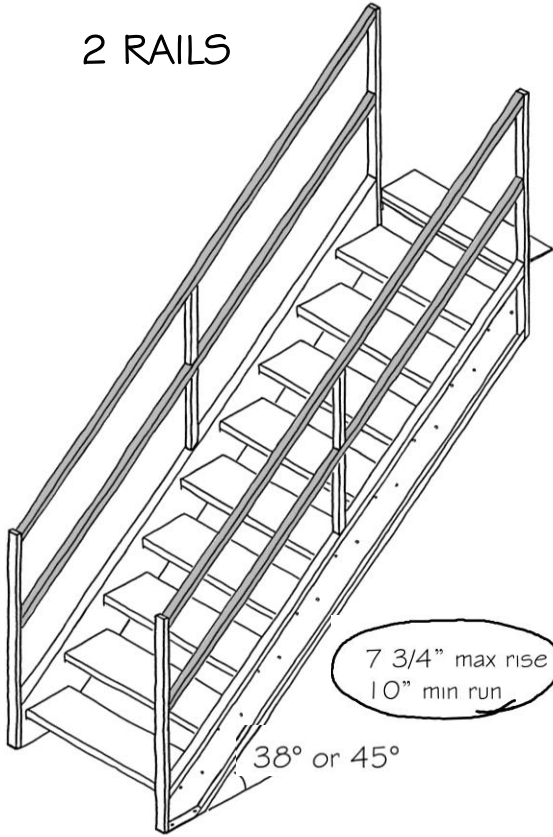
$\varnothing 3/8$ " x 1" BOLT



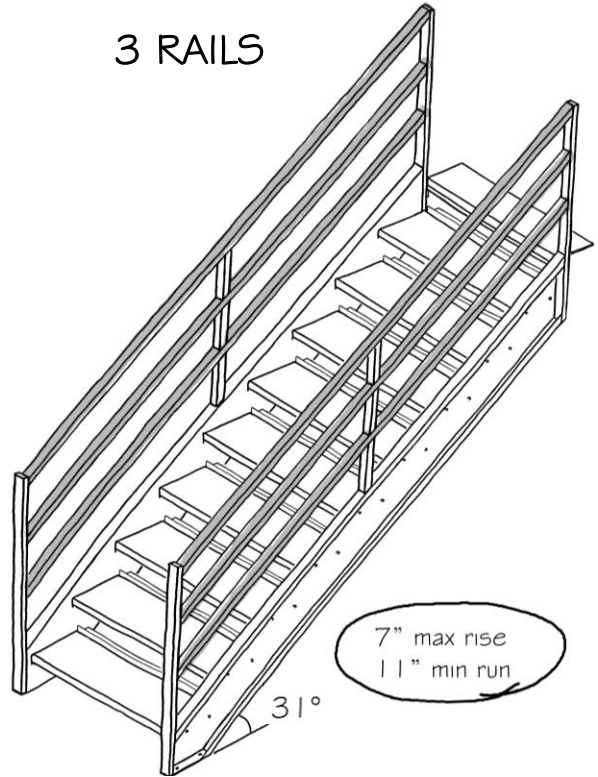
$\varnothing 1/4$ " x 1" HEX  
HEAD TEK SCREW

# 4 DIFFERENT SCENARIOS

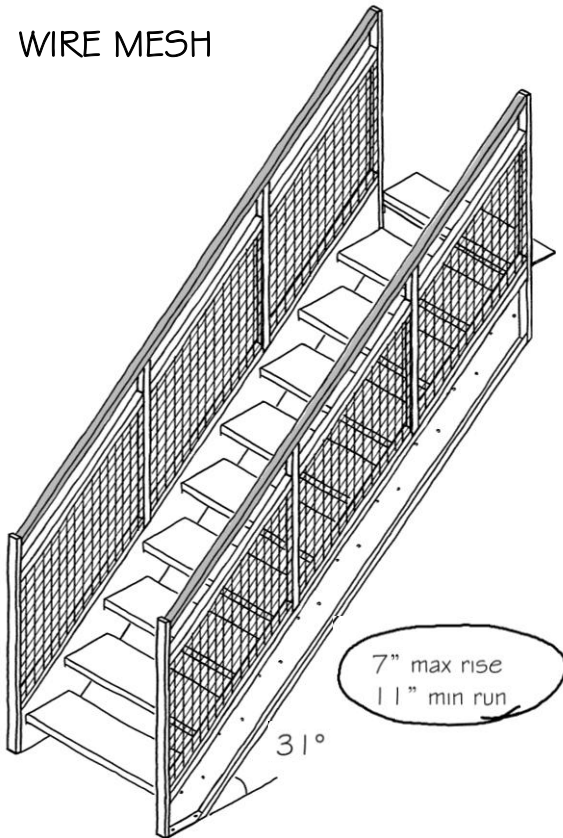
2 RAILS



3 RAILS

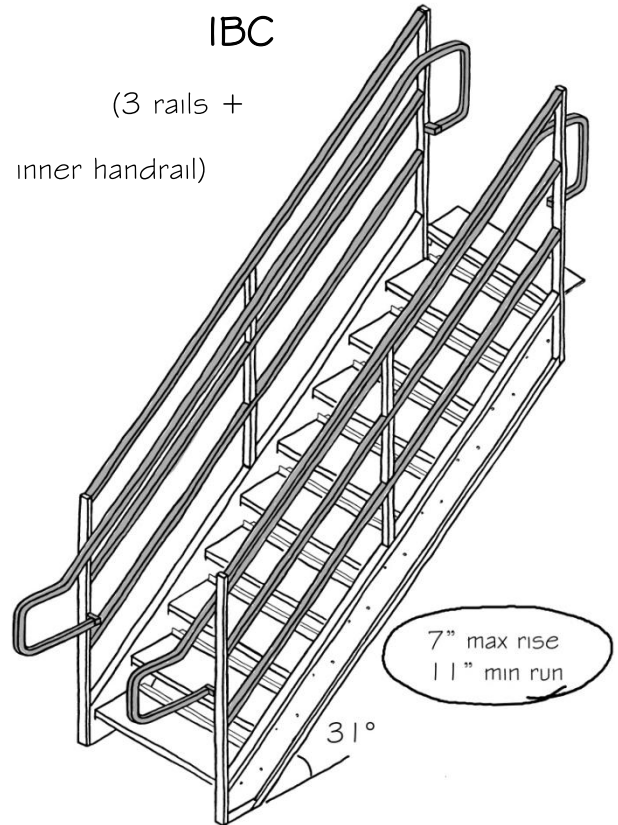


WIRE MESH



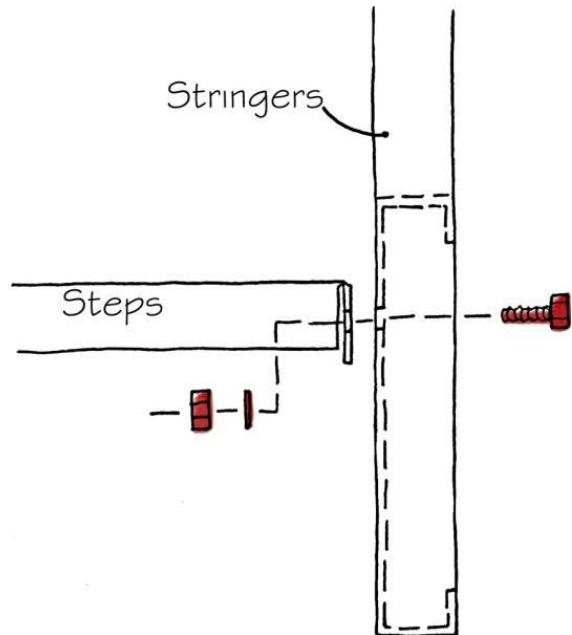
IBC

(3 rails +  
inner handrail)

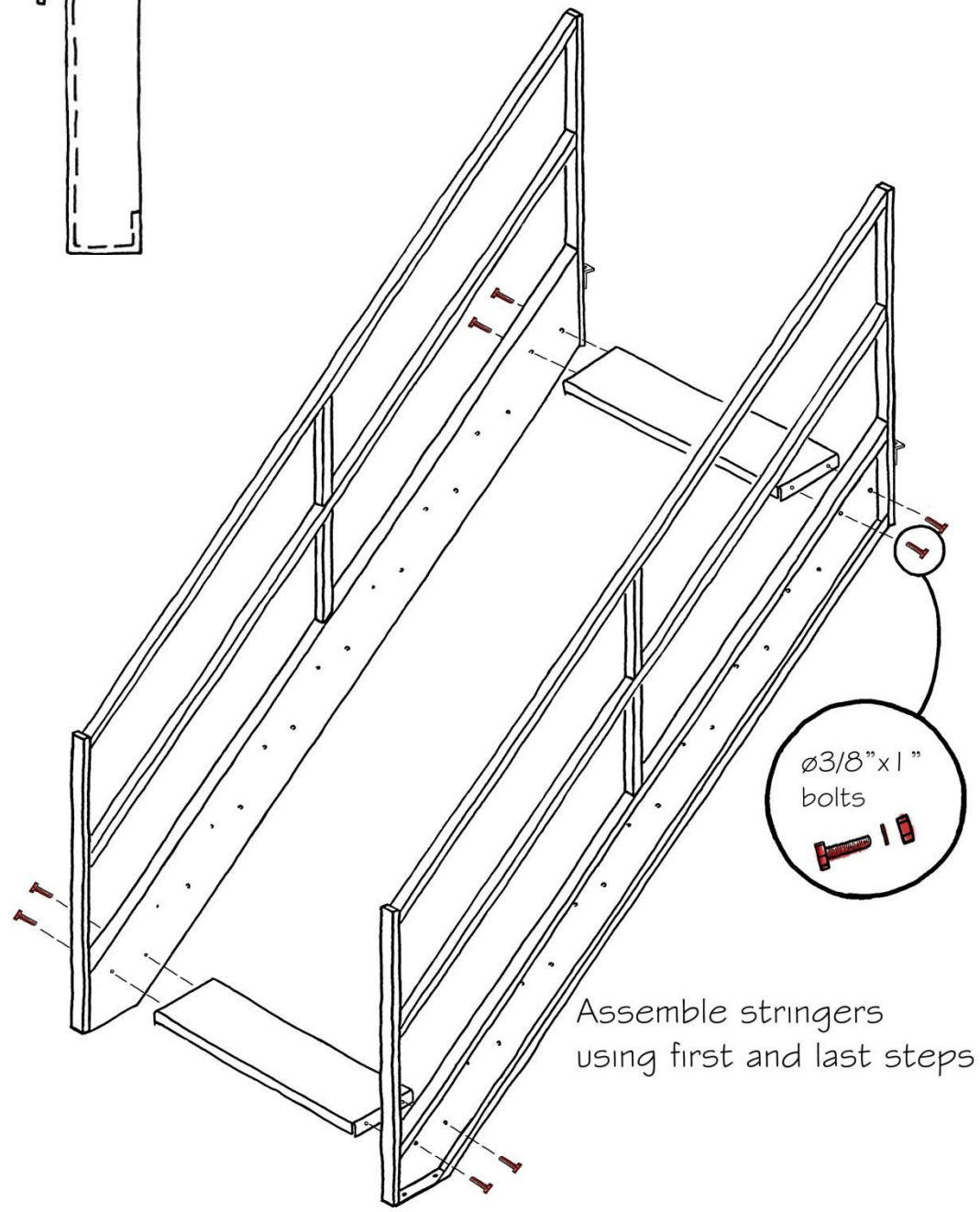


# STEP 1

## ASSEMBLING STEPS WITH STRINGERS

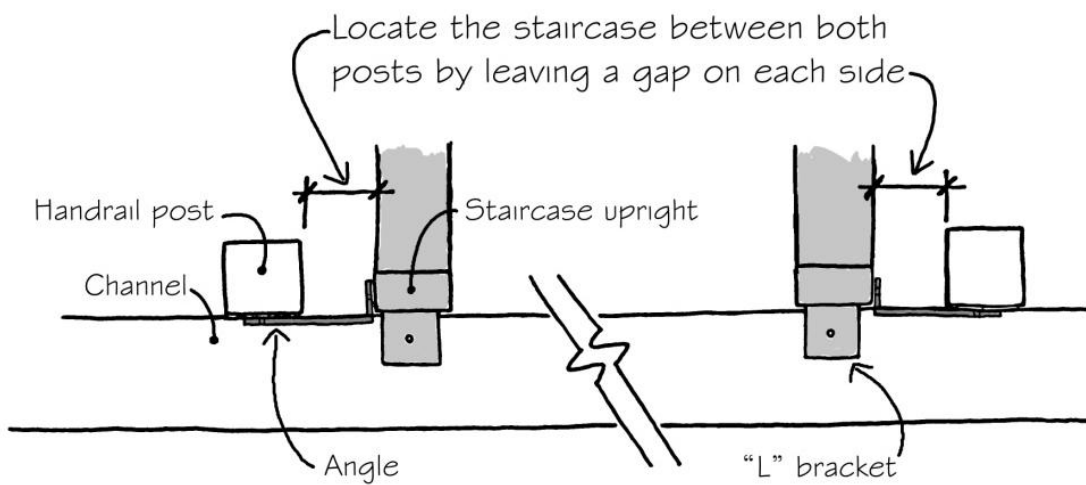
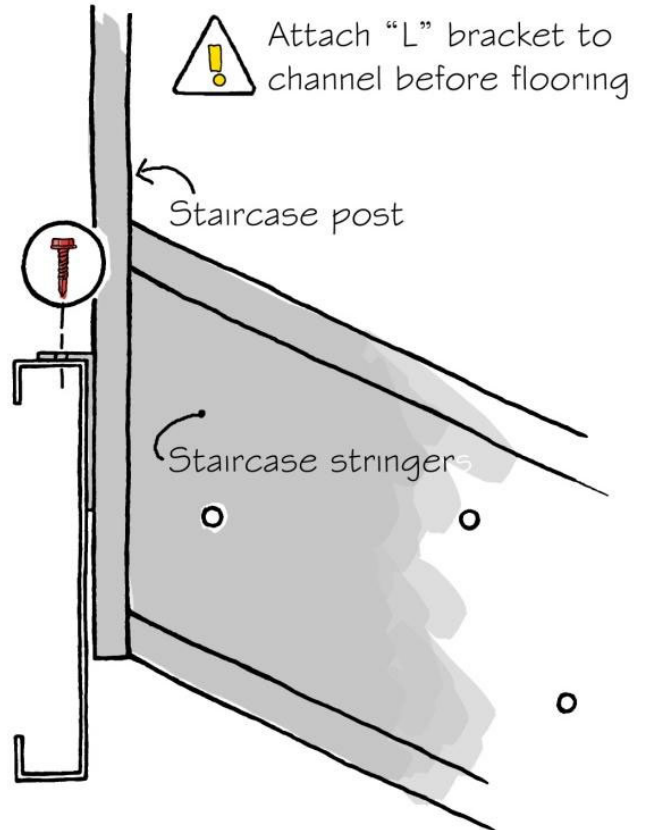
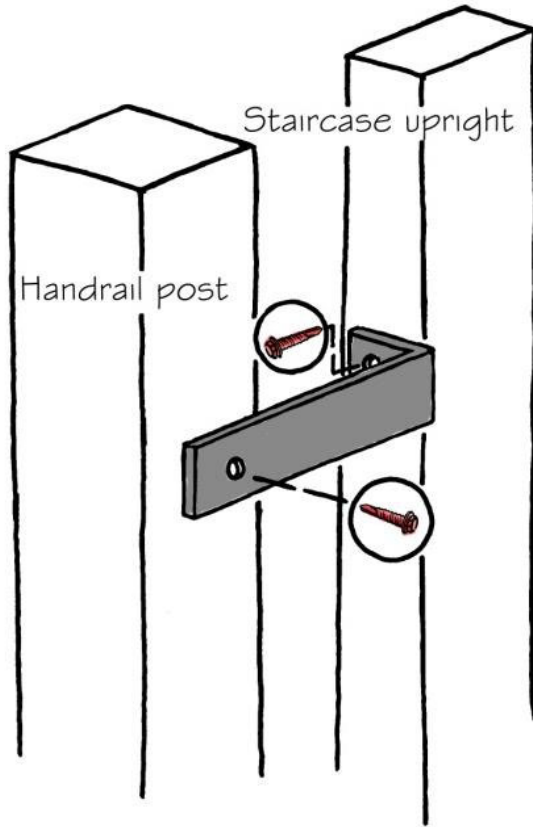


After attaching staircase to mezzanine, fasten the remaining steps.



## STEP 2

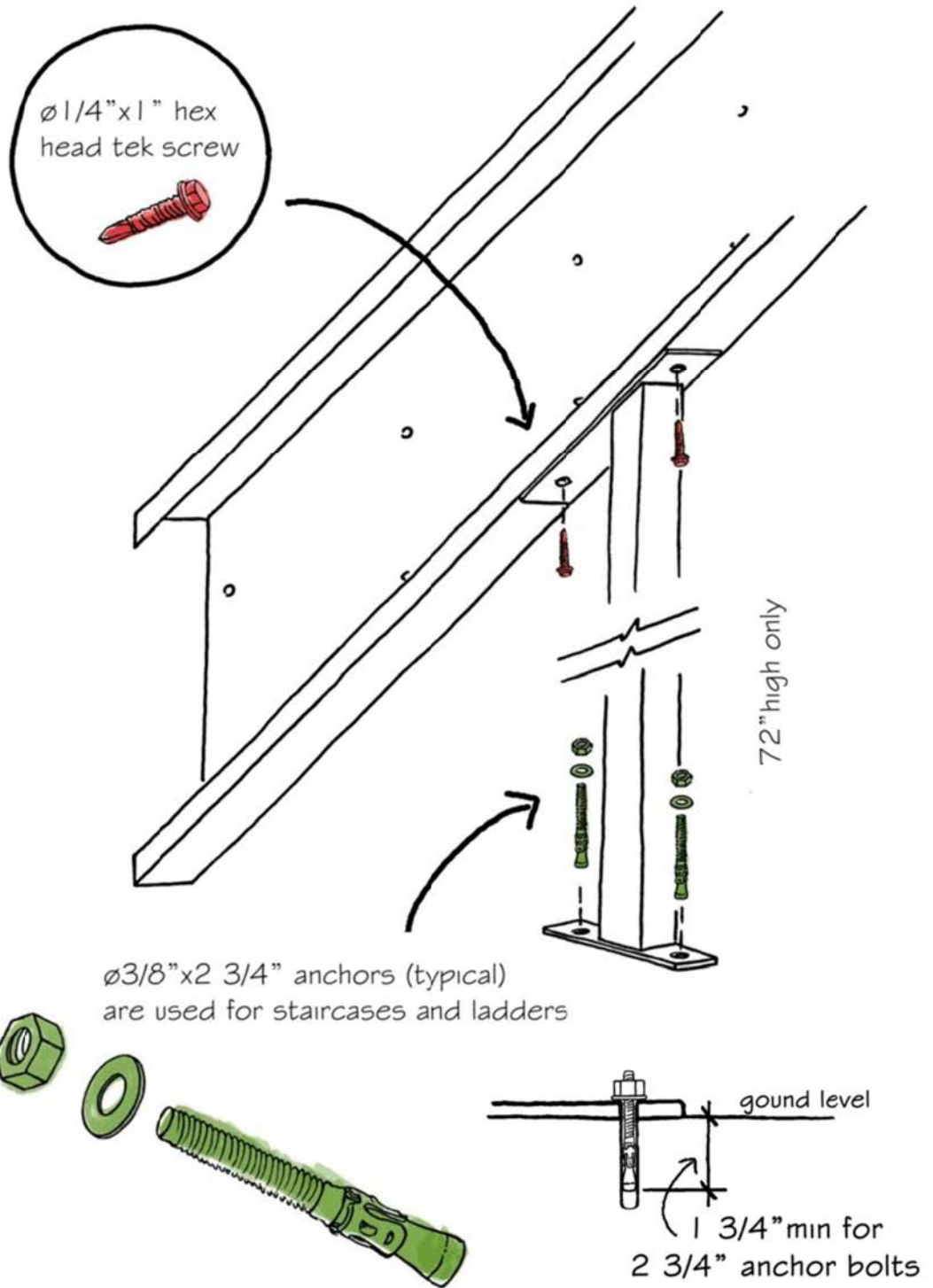
ATTACH STAIRCASE TO MEZZANINE USING  
"L" BRACKET AND ANGLE



TOP VIEW

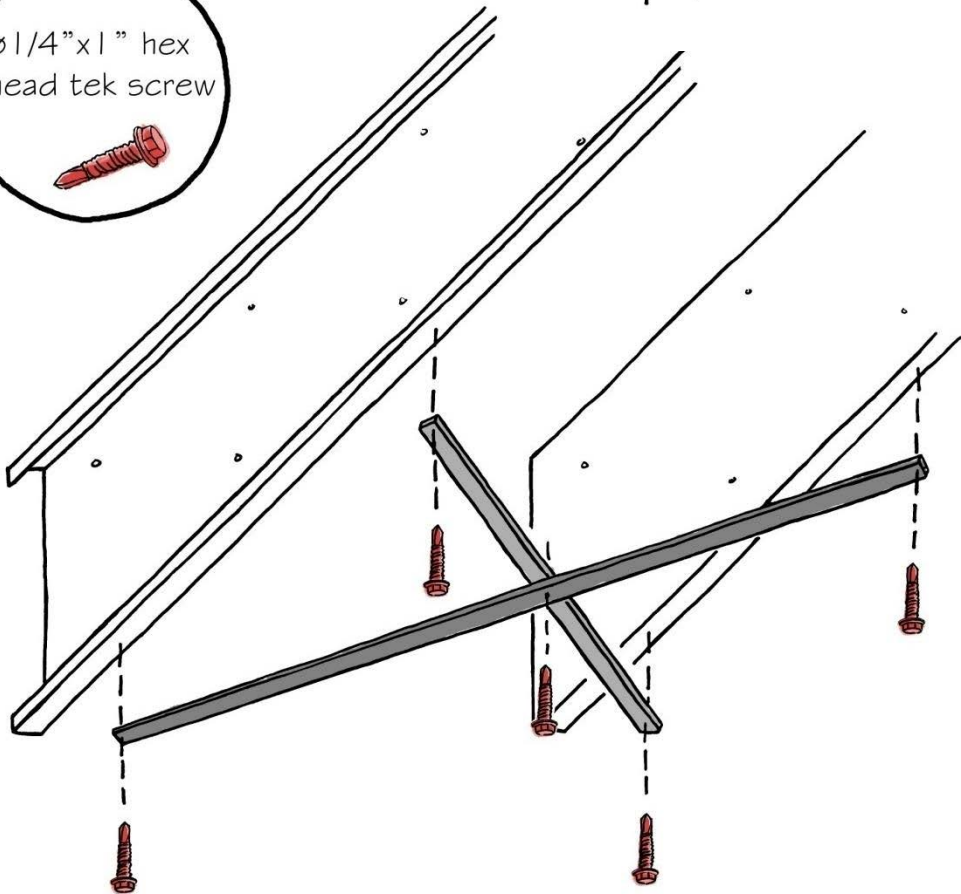
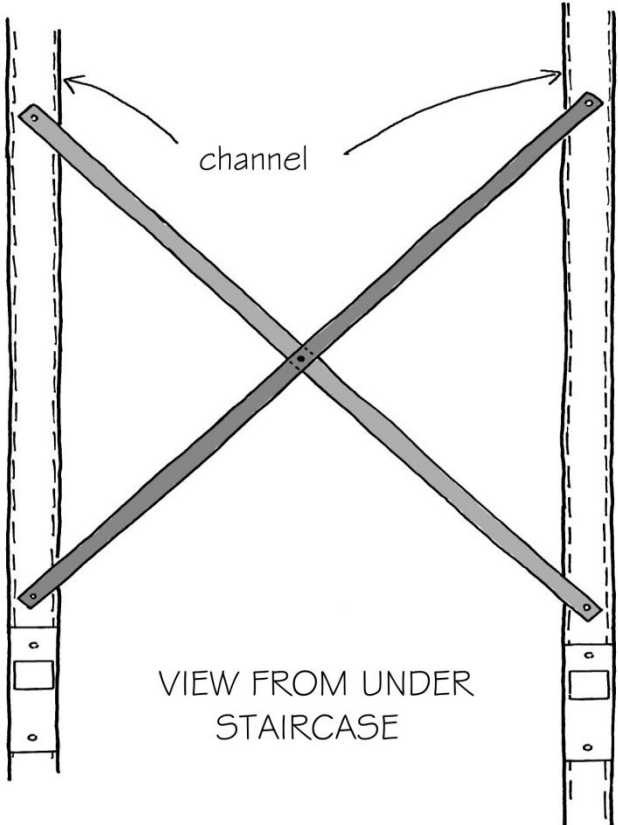
# STEP 3

## MID-SUPPORTS



MID-SUPPORTS ARE USED ON STAIRCASES 8' HIGH OR GREATER  
SEE STEP 6 FOR COMPLETE DETAILS ON ANCHORING

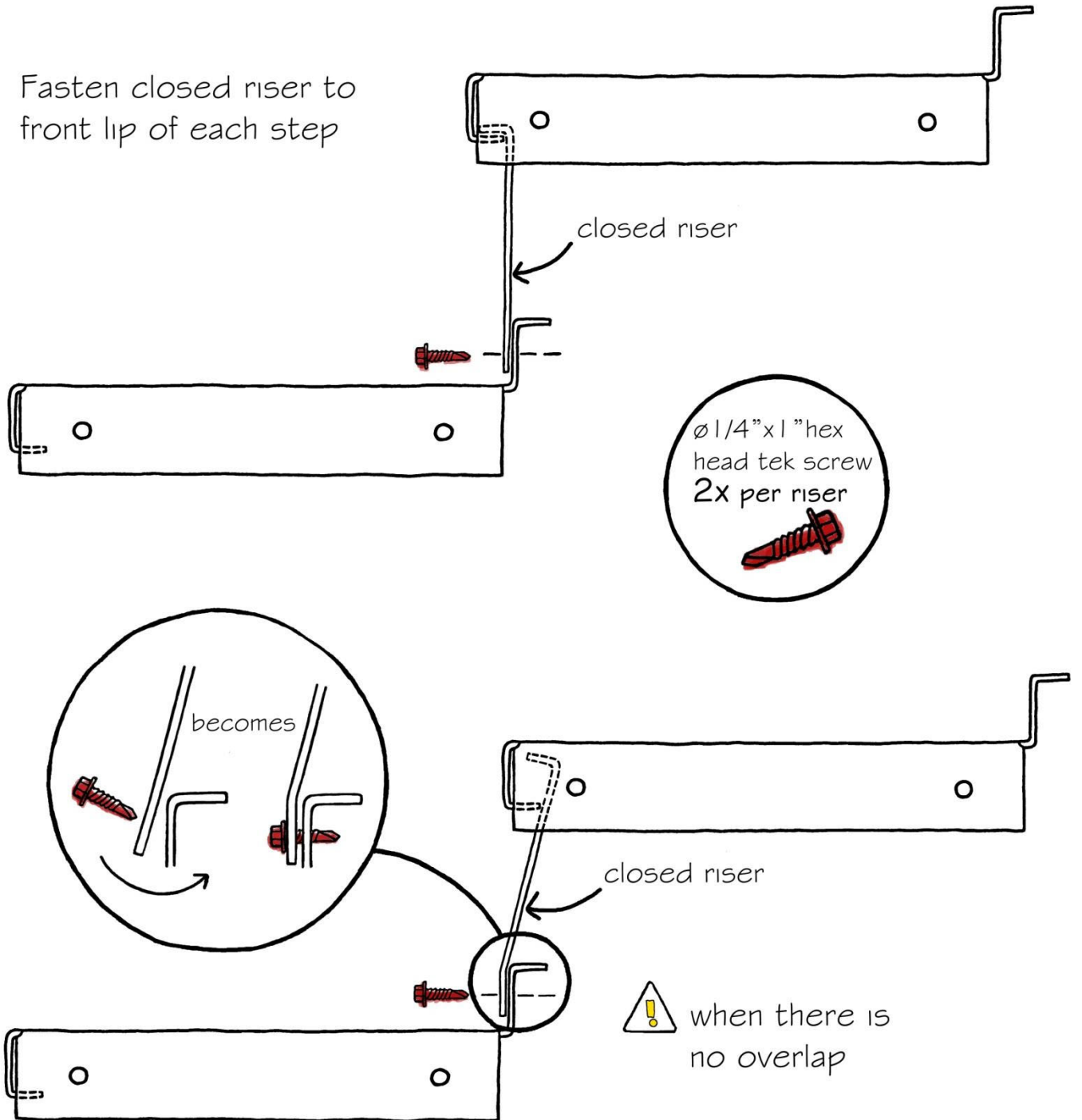
# STAIRCASE BRACES



# STEP 4

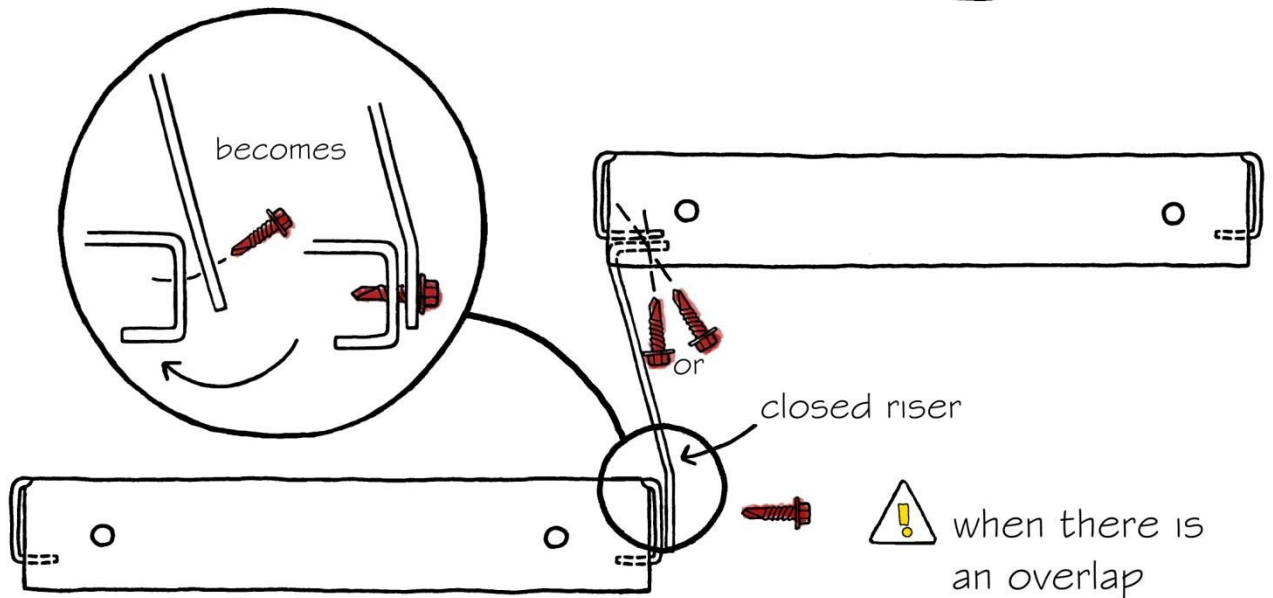
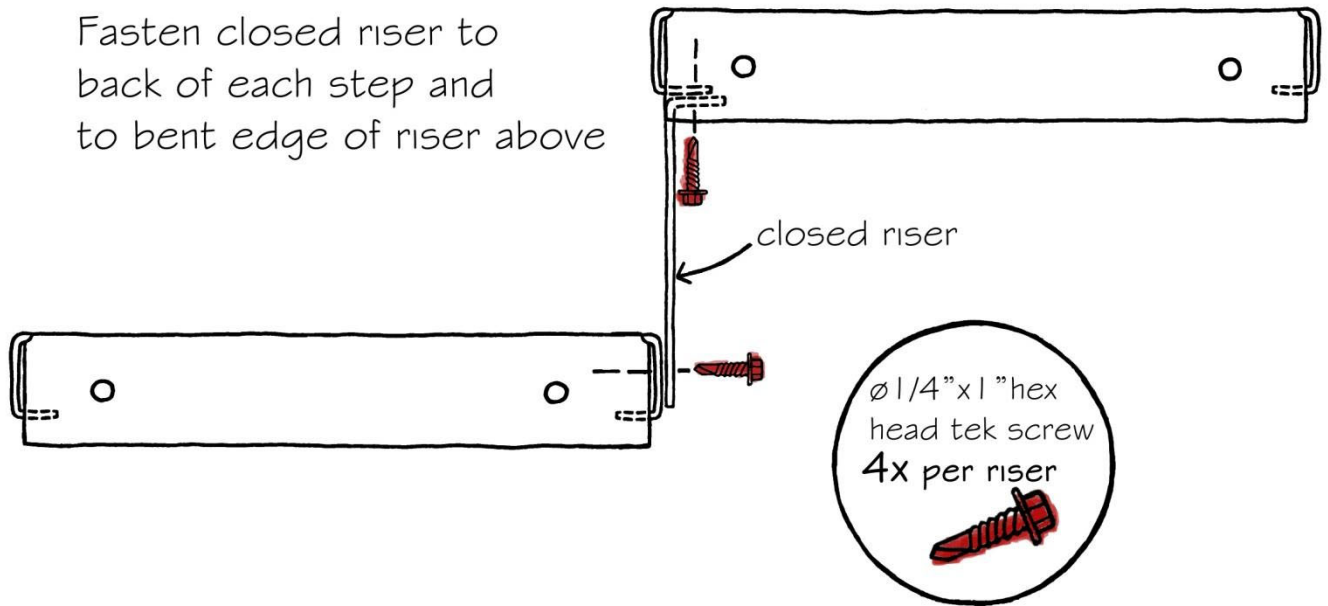
## OPTIONAL PARTS AND ACCESSORIES (CLOSED RISER FOR IBC AND BOCA)

Fasten closed riser to front lip of each step

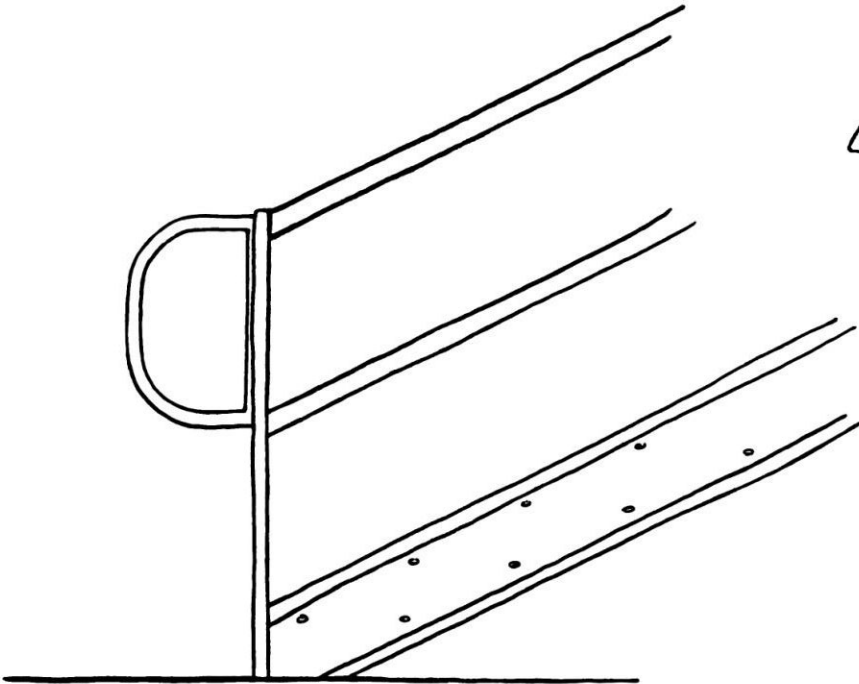
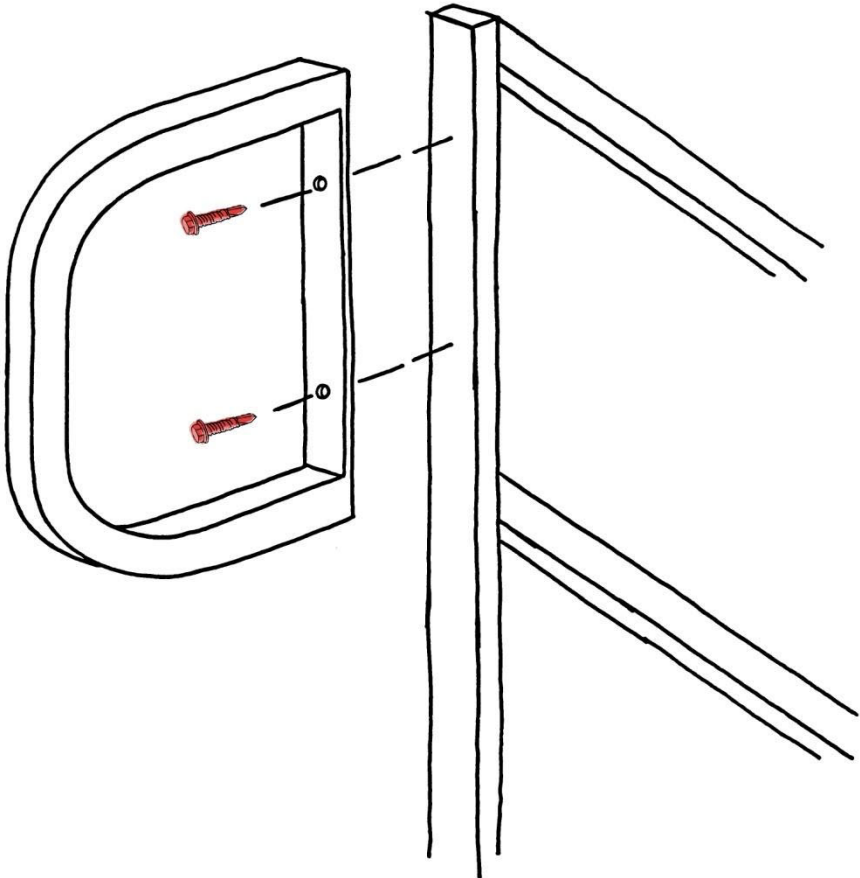


# OPTIONAL PARTS AND ACCESSORIES (CLOSED RISER FOR OSHA)

Fasten closed riser to back of each step and to bent edge of riser above

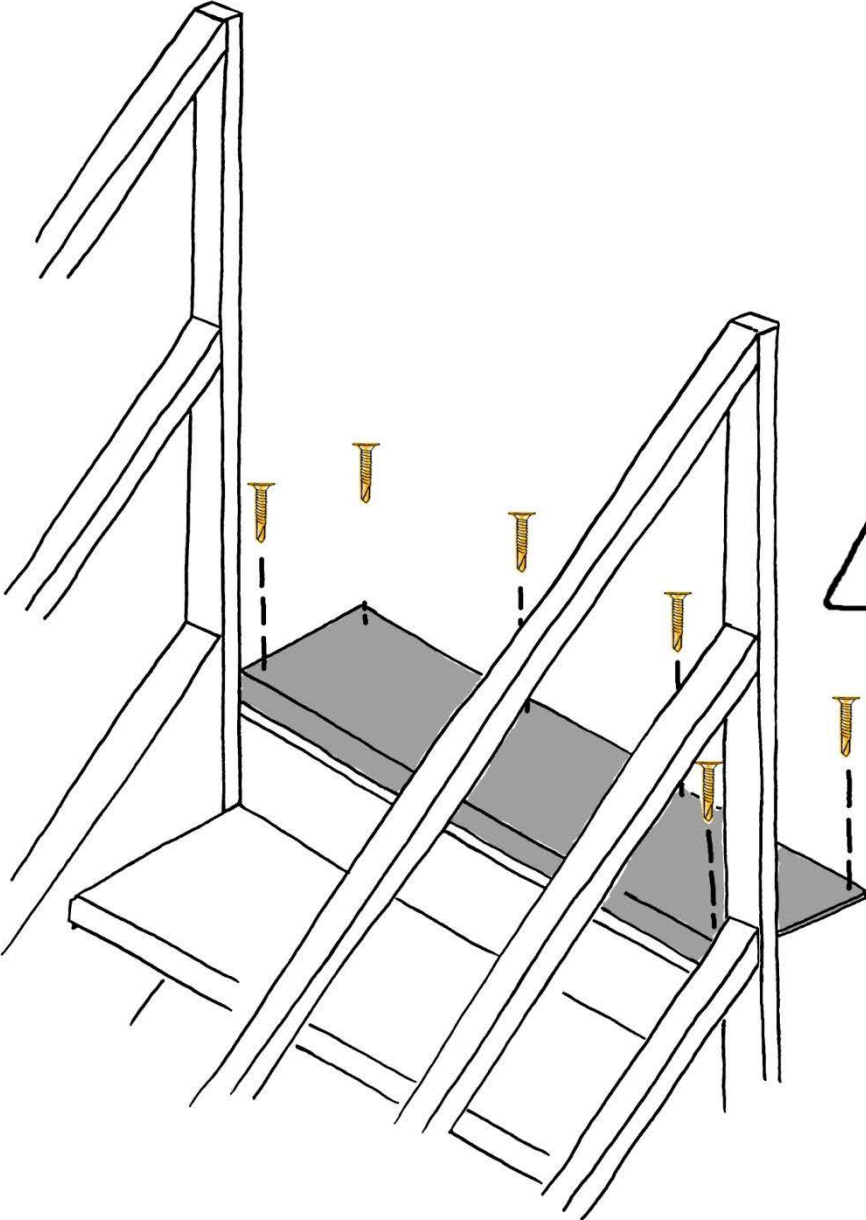
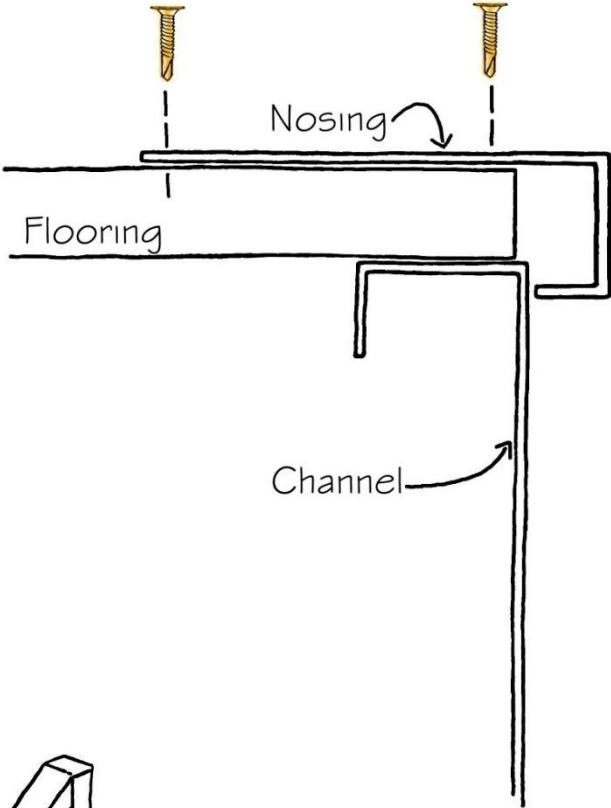


OPTIONAL PARTS AND ACCESSORIES (EXTENSION RAILING)



Extension railing can be used on both top and bottom of staircase

OPTIONAL PARTS AND ACCESSORIES (NOSING)



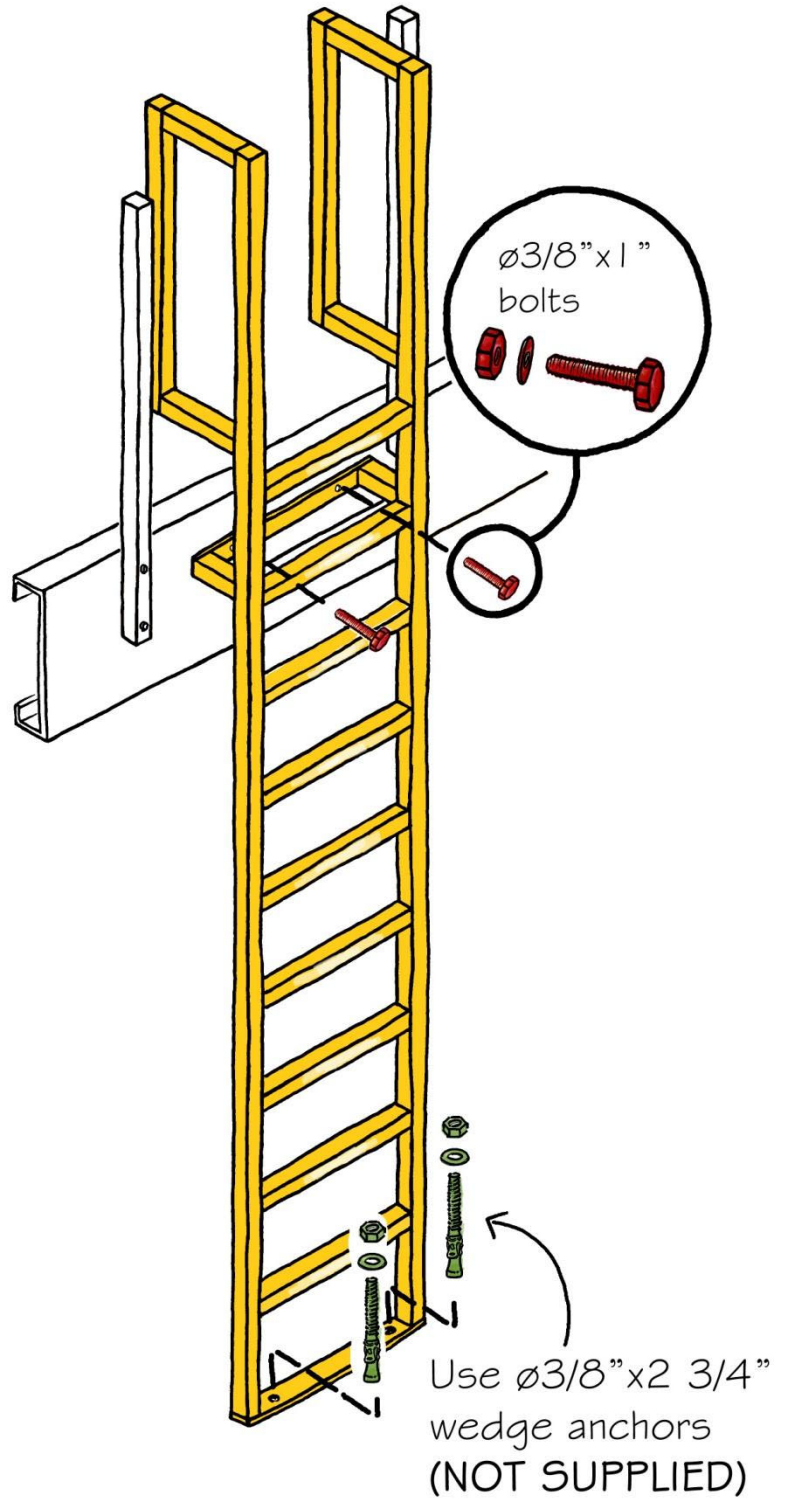
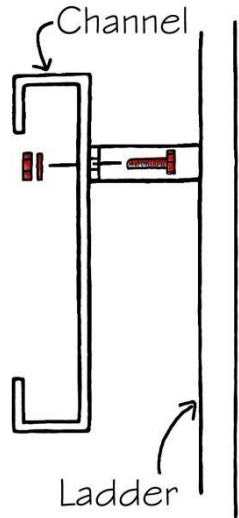
After flooring is in place, install nosing

# STEP 5

## LADDER



Holes in channel to be drilled on site



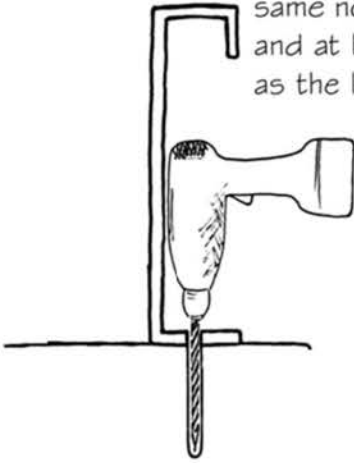
SEE STEP 6 FOR COMPLETE DETAILS ON ANCHORING

# STEP 6 (A)

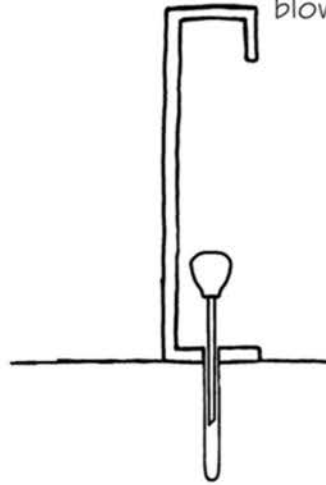
## ANCHORING STAIRCASE & LADDER

(If staircase or ladder sits on a concrete surface, follow these instructions)

Hammer drill a hole  
same nominal diameter  
and at least as deep  
as the length of anchors

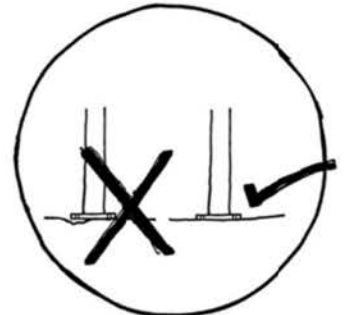
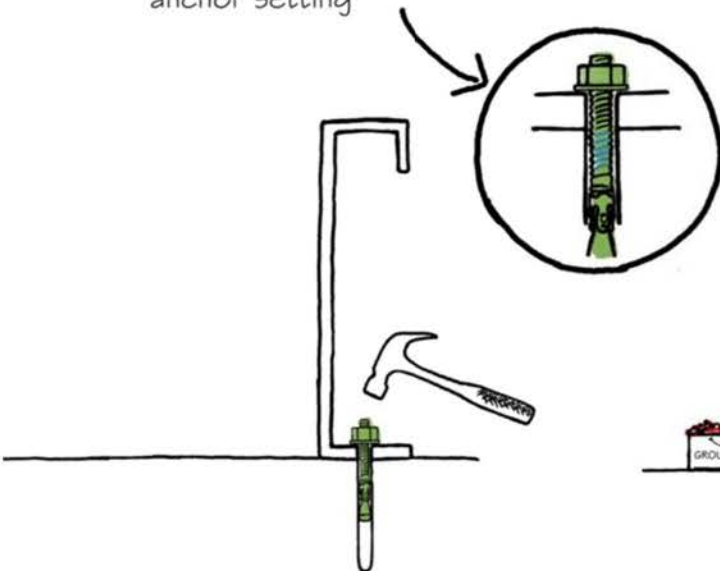
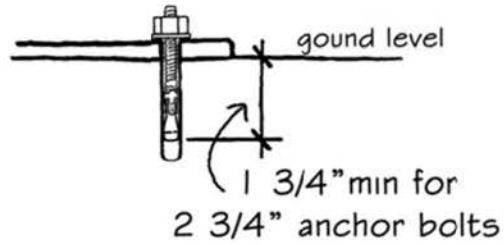


Clean hole with  
blow out bulb



Drive the Hilti bolt so that at least **6 threads** are below top surface of fixture.

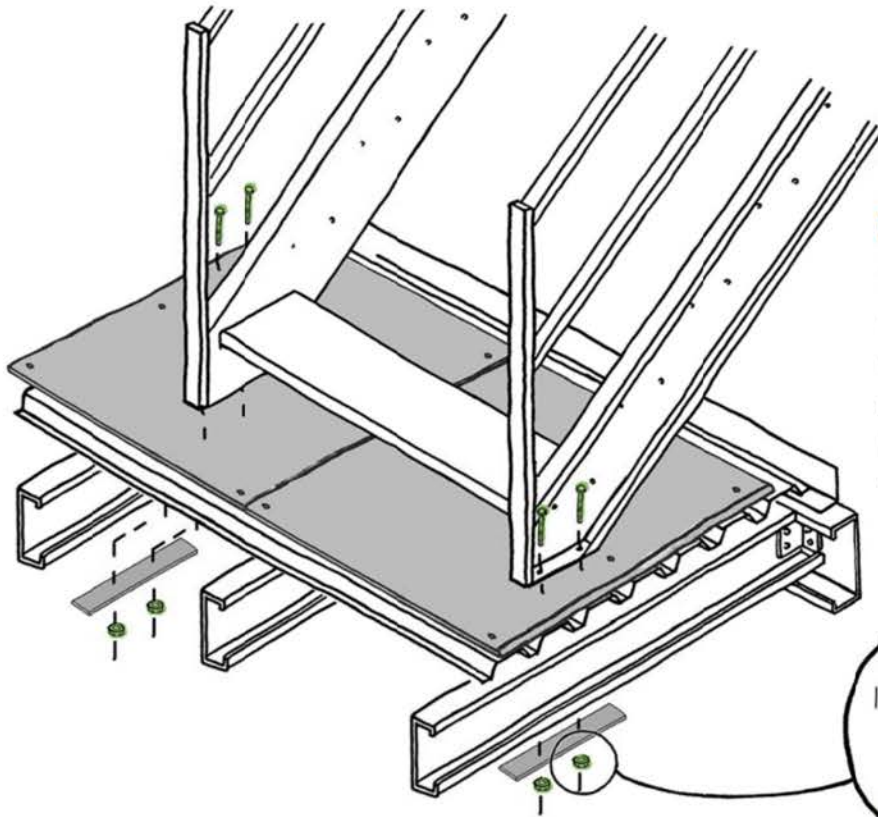
Tighten to recommended torque value to achieve proper anchor setting



## STEP 6 (B)

### ANCHORING STAIRCASE & LADDER

(If staircase or ladder sits on the mezzanine floor, follow these instructions)

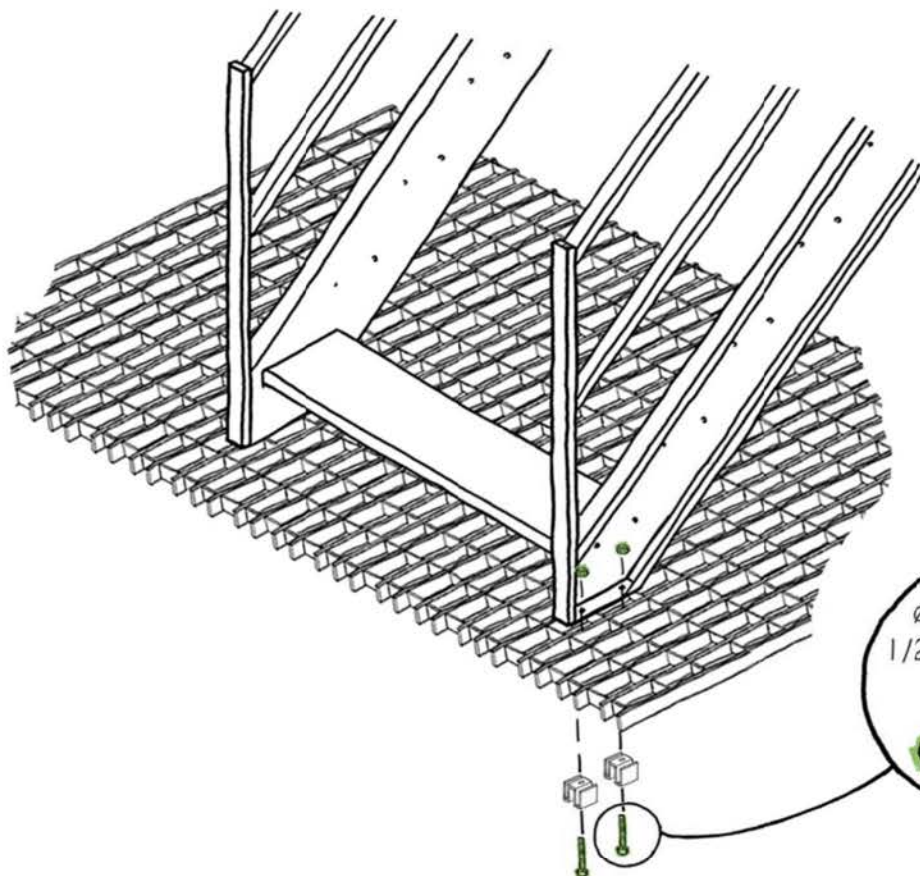


#### ON STEEL DECK SURFACE

Bolt sandwich plate under the steel deck to help secure the staircase in place.

Always lay sandwich plate perpendicular to the steel deck orientation.

Ø 3/8" x 3  
1/2" structural  
bolts



#### ON BAR GRATING SURFACE

Invert clips and bolt to the staircase base plate to secure it from under. Put one structural bolt in each hole of the staircase base plate.

Ø 3/8" x 3  
1/2" structural  
bolts

